

▶ 45° Vent Elbow without Rubber Seal

The 45 degree elbow is for use in conjunction with spiral ducts in building ventilation systems. The form of the elbow helps to reduce the flow resistance and the pressure loss.

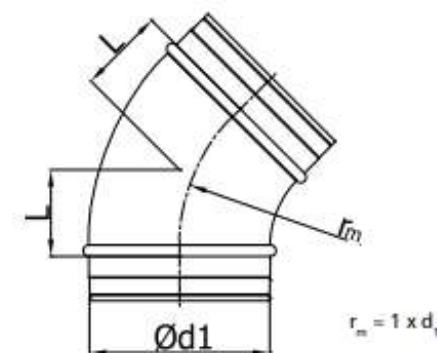
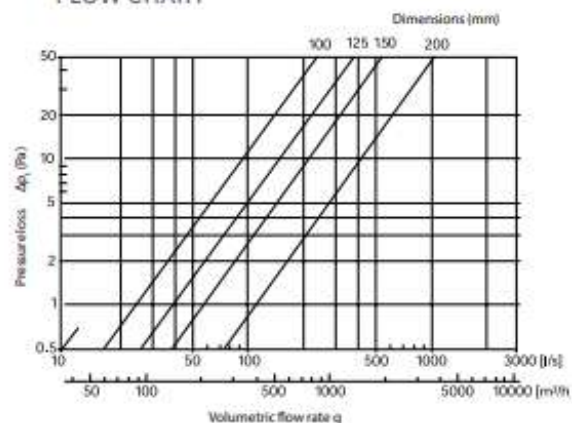
Seam welds improve the air tightness of the ventilation system, while the hemmed rim helps to avoid cutting injuries during handling and installation.

Air tightness can be increased to class B by wrapping the joints with appropriate sealing tape.



Code	Description	Ød _{1in} (mm)	L (mm)	Weight (kg)
GMVC100B45	100mm 45 degree Vent Elbow without rubber seal	100	41	0.3
GMVC125B45	125mm 45 degree Vent Elbow without rubber seal	125	52	0.4
GMVC150B45	150mm 45 degree Vent Elbow without rubber seal	150	62	0.6
GMVC200B45	200mm 45 degree Vent Elbow without rubber seal	200	83	0.9

FLOW CHART



The information in this datasheet is intended for reference purposes only and may be modified at any time without prior notice or obligation. All data is provided in good faith and is accurate to the best of our knowledge at the time of release.